

Articolo /item

Codice / Code

LITTER BIN QATAR

AC069

Finitura /Finishing

GALVANIZED AND POWDER COATED



Cylindrical-shaped litter bin entirely made of steel sheet.

The top lid is folded up at the front, creating the hole for waste introduction and is provided with ashtray. It is fixed to the cylindrical body with a hinge and a lock with triangular key.

The litter bin is equipped with an inner container, duly perforated on the bottom for water (rain or cleaning operations waters) drainage.

The base can be made of stainless steel.

All metal parts are galvanized and painted with thermosetting polyester powders available in different RAL colors.

Stainless steel screws are supplied.

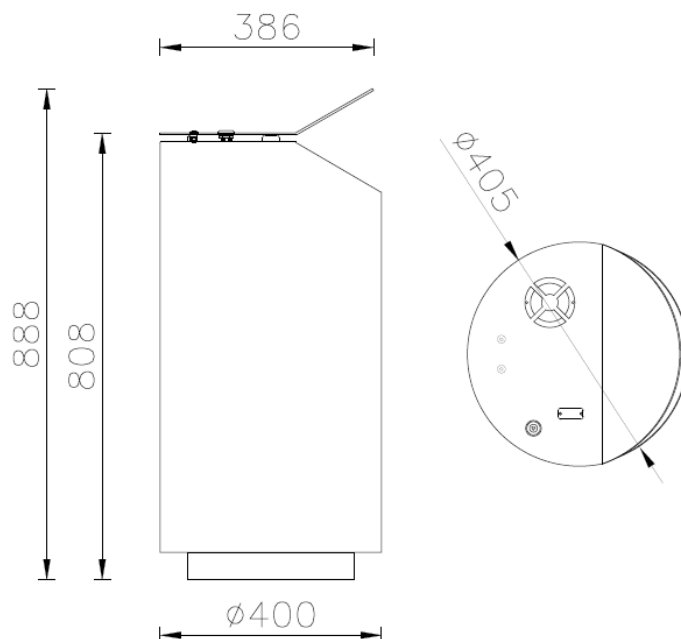
TECHNICAL INFORMATION

Dimensions D.405 mm

Height 888 mm

Estimated weight 24 Kg

Capacity 80 L



NOTE

.....
.....
.....