

Articolo /item

Codice / Code

SHELTER TRANSIT BUS

AL004

Finitura /Finishing

GALVANIZED AND POWDER COATED



* 3-modules shelter without lateral walls

Transit bus shelter is made of load-bearing pillars $\varnothing 89$ mm, which are provided with decorative elements at the top and at the base.

The roof is composed of alveolar polycarbonate sheets, supported by a structure of steel sheet slight arches.

Walls are made in alveolar polycarbonate or, if required, in compact polycarbonate or in perforated steel sheet.

This bus shelter can be supplied with lateral wall (glass or perforated steel sheet), steel tube handle, steel bench, back notice board and lateral advertising panel.

A lighting system can be installed upon request.

Stainless steel screws.

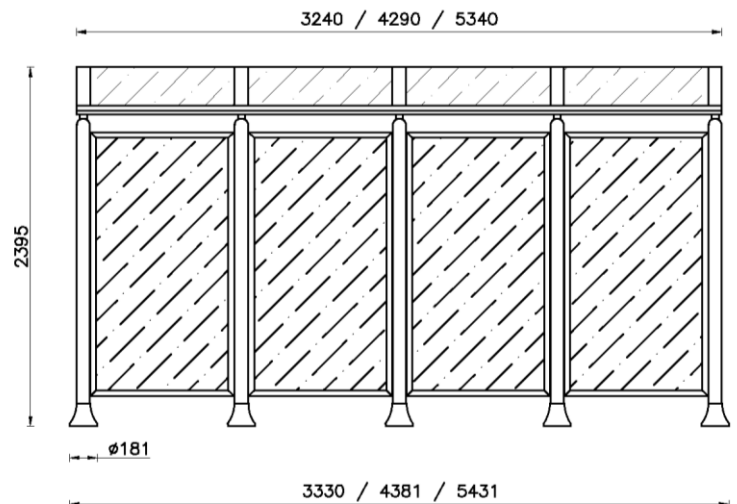
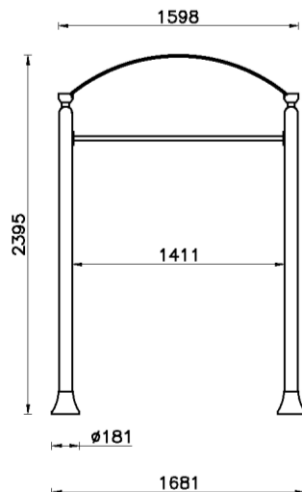
All metal parts are galvanized and coated with thermosetting polyester powders.

TECHNICAL DETAILS

Length 2 modules: 2190 mm
 3 modules: 3240 mm
 4 modules: 4290 mm
 5 modules: 5340 mm

Width 1598 mm

Height 2395 mm



NOTE

Rev. 06/2024