

# BENCH No. 17.

PARK BENCH FAMILY



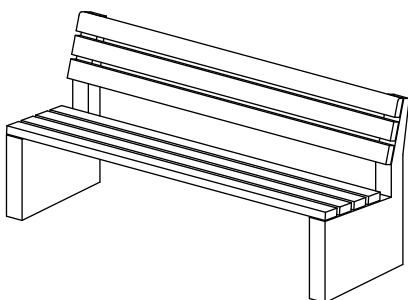
Design: Mark Nagy-Mihaly

Year: 2021

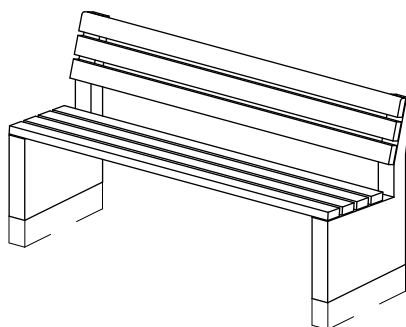


## ELEMENTS

B17-B1



B17-B2



# BENCH No. 17

PARK BENCH FAMILY



Design: Mark Nagy-Mihaly

Year: 2021

## INFO

Material:	high performance concrete (HPC)
Standard colour:	white
Finish:	natural cast
Treatment:	impregnated
Seat:	oiled ash / varnished ash / painted pine
Lifting:	with lifting straps
Placement:	on load-bearing, ready-to-use walking surface/ on concrete foundation
Fixing:	with antifreeze adhesive/ by anchoring
Cleaning:	with neutral detergent

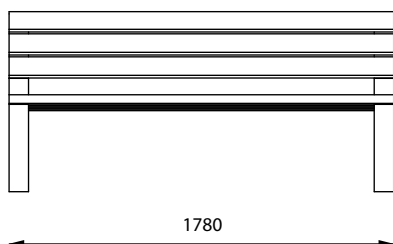


## MEASUREMENTS

0 ——— 500 mm

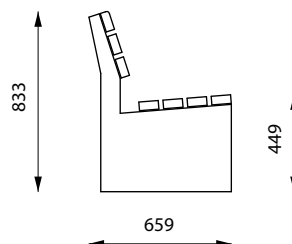
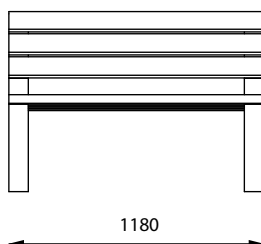
B17-B1-178

225 kg



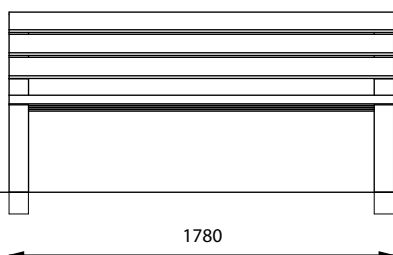
B17-B1-118

210 kg



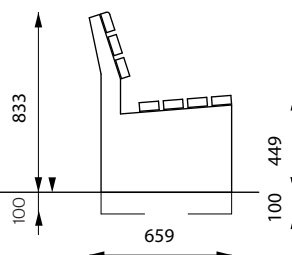
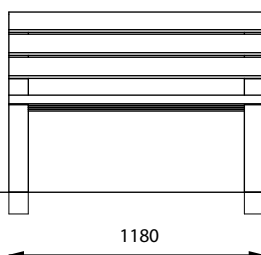
B17-B2-178

250 kg



B17-B2-118

235 kg



## INSTALLATION

The product may be lifted with lifting straps. The product is fixed with antifreeze adhesive or with anchor bolts to load-bearing walking surface or to concrete foundation.

For further information see Installation Guide.

## MAINTENANCE

The product may be cleaned with neutral detergent. For further information see Maintenance Guide.