

Design: Mark Nagy-Mihaly

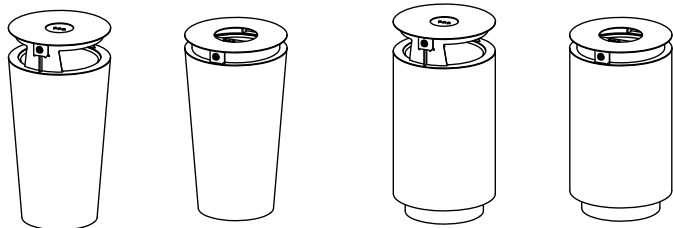
Year: 2018



ELEMENTS

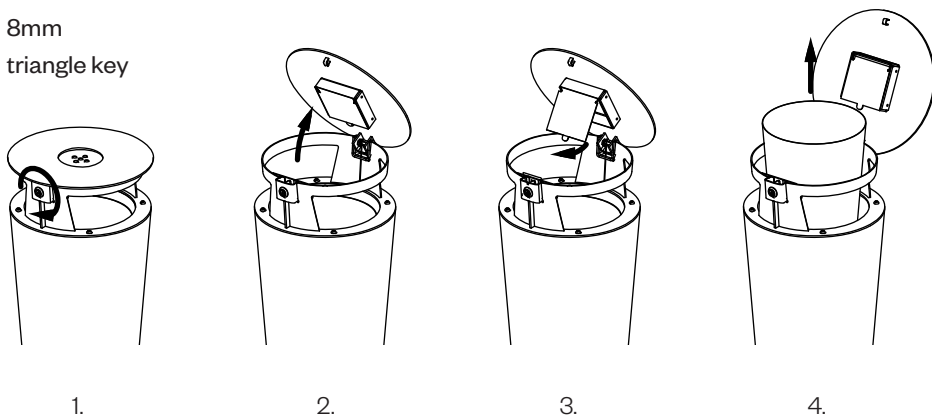
BIN-45

BIN-60



FUNCTION

8mm
triangle key



Design: Mark Nagy-Mihaly

Year: 2018

INFO

Material:	high performance concrete (HPC)
Standard colour:	white
Finish:	natural cast
Treatment:	impregnated
Metal:	powder coated galvanized steel
Standard metal colour:	anthracite gray – RAL 7016
Lifting:	with lifting straps
Placement:	on load-bearing, ready-to-use walking surface
Fixing:	by anchoring
Cleaning:	with neutral detergent



MEASUREMENTS

0 ————— 500 mm

BIN-45-Z

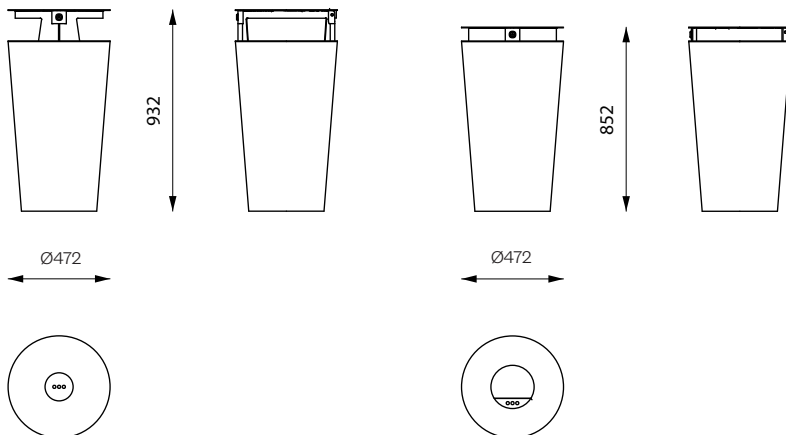
140 kg

45 l

BIN-45-N

135 kg

45 l



INSTALLATION

The product may be lifted with lifting straps. The product is fixed with anchor bolt to load-bearing walking surface. Behind the product, 150 mm lid-opening space is needed. For further information see Installation Guide.

MAINTENANCE

The product may be cleaned with neutral detergent. For further information see Maintenance Guide.

Design: Mark Nagy-Mihaly
Year: 2018

INFO

Material:	high performance concrete (HPC)
Standard colour:	white
Finish:	natural cast
Treatment:	impregnated
Metal:	powder coated galvanized steel
Standard metal colour:	anthracite gray – RAL 7016
Lifting:	with lifting straps
Placement:	on load-bearing, ready-to-use walking surface
Fixing:	by anchoring
Cleaning:	with neutral detergent

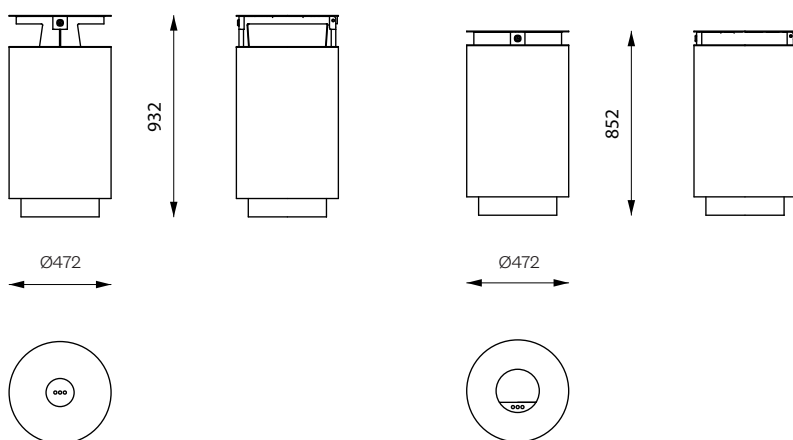


MEASUREMENTS

0 500 mm

BIN-60-Z
165 kg
60 l

BIN-60-N
160 kg
60 l



INSTALLATION

The product may be lifted with lifting straps. The product is fixed with anchor bolt to load-bearing walking surface. Behind the product, 150 mm lid-opening space is needed. For further information see Installation Guide.

MAINTENANCE

The product may be cleaned with neutral detergent. For further information see Maintenance Guide.