

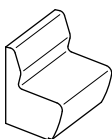
Design: Mark Nagy-Mihaly
Year: 2019

Idea and Concept: Palatium Studio

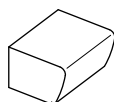


ELEMENTS

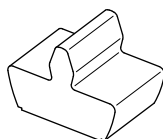
LNG-WB



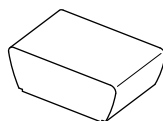
LNG-W



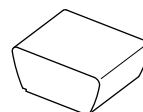
LNG-FB



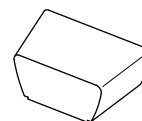
LNG-FW



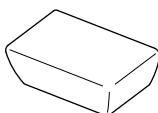
LNG-FS



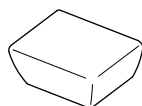
LNG-FC



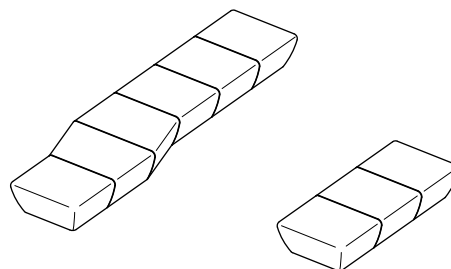
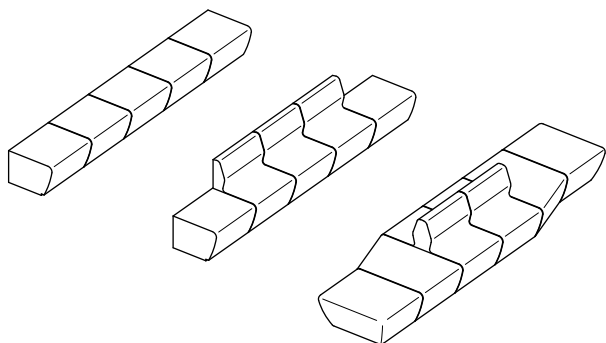
LNG-FWE



LNG-FSE



SAMPLE COMBINATIONS

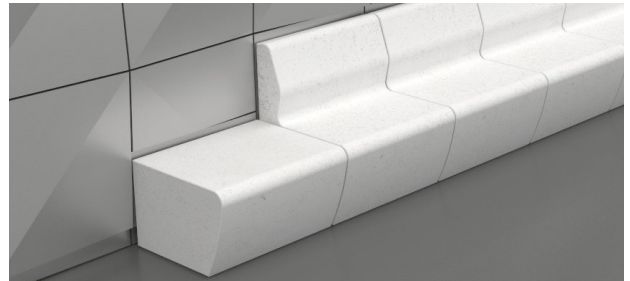


Design: Mark Nagy-Mihaly
Year: 2019

Idea and Concept: Palatium Studio

INFO

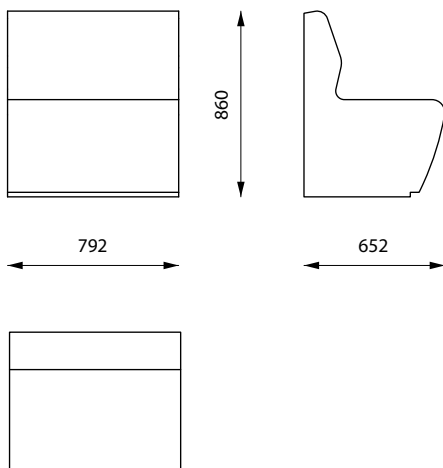
Material: high performance concrete (HPC)
Standard colour: white
Finish: natural cast
Treatment: impregnated
Lifting: with lifting straps
Placement: on load-bearing, ready-to-use walking surface
Fixing: with antifreeze adhesive/ by anchoring
Cleaning: with neutral detergent



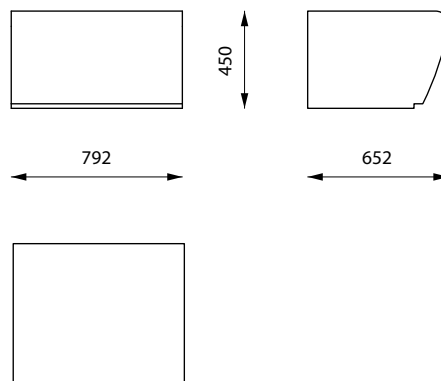
MEASUREMENTS

0 500 mm

LNG-WB
385 kg



LNG-W
275 kg



INSTALLATION

The product may be lifted with lifting straps. The product is fixed with antifreeze adhesive or with anchor bolts to load-bearing walking surface.
For further information see Installation Guide.

MAINTENANCE

The product may be cleaned with neutral detergent.
For further information see Maintenance Guide.

Design: Mark Nagy-Mihaly
Year: 2019

Idea and Concept: Palatium Studio

INFO

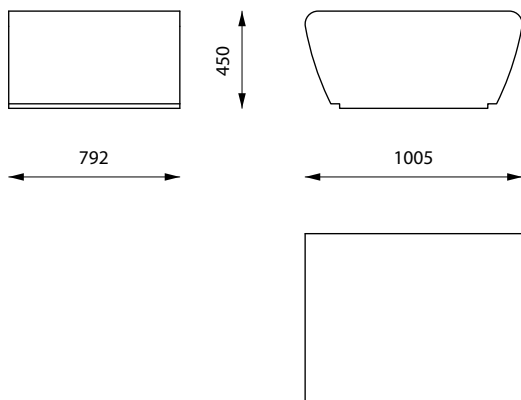
Material: high performance concrete (HPC)
Standard colour: white
Finish: natural cast
Treatment: impregnated
Lifting: with lifting straps
Placement: on load-bearing, ready-to-use walking surface
Fixing: with antifreeze adhesive/ by anchoring
Cleaning: with neutral detergent



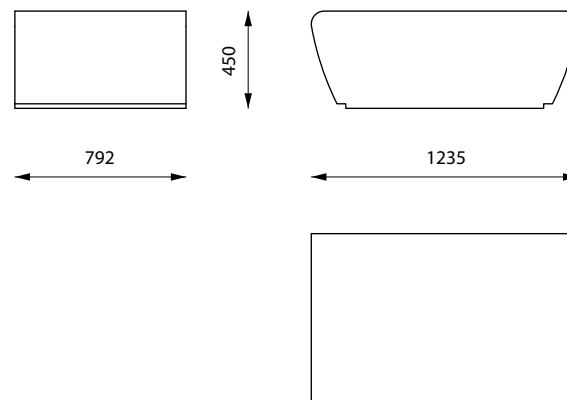
MEASUREMENTS

0 500 mm

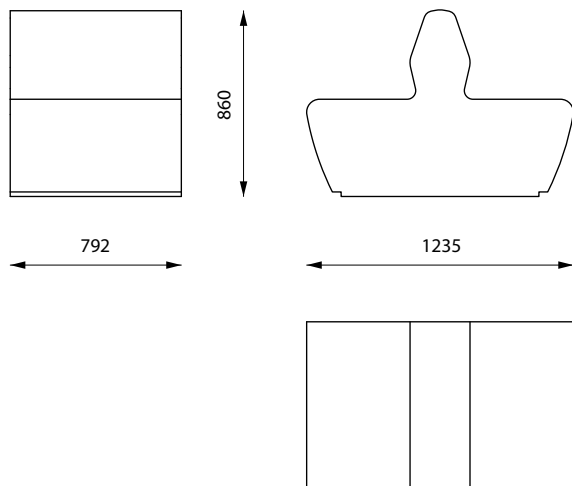
LNG-FS
375 kg



LNG-FW
435 kg



LNG-FB
600 kg



INSTALLATION

The product may be lifted with lifting straps. The product is fixed with antifreeze adhesive or with anchor bolts to load-bearing walking surface.

For further information see Installation Guide.

MAINTENANCE

The product may be cleaned with neutral detergent.

For further information see Maintenance Guide.

Design: Mark Nagy-Mihaly
Year: 2019

Idea and Concept: Palatium Studio

INFO

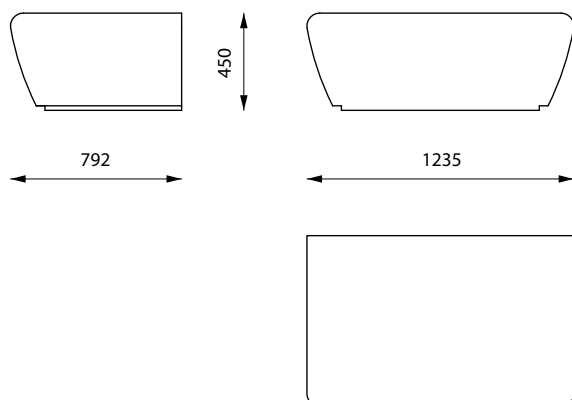
Material: high performance concrete (HPC)
Standard colour: white
Finish: natural cast
Treatment: impregnated
Lifting: with lifting straps
Placement: on load-bearing, ready-to-use walking surface
Fixing: with antifreeze adhesive/ by anchoring
Cleaning: with neutral detergent



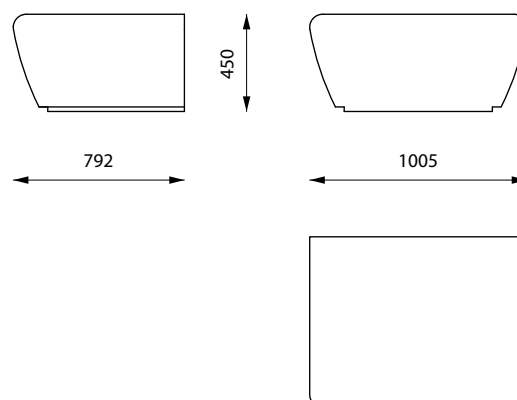
MEASUREMENTS

0 500 mm

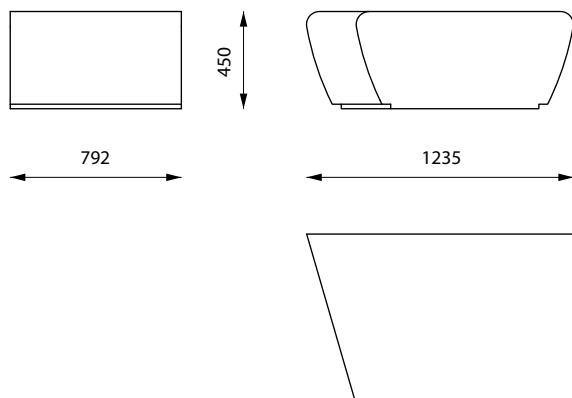
LNG-FWE
445 kg



LNG-FSE
385 kg



LNG-FC
395 kg



INSTALLATION

The product may be lifted with lifting straps. The product is fixed with antifreeze adhesive or with anchor bolts to load-bearing walking surface.

For further information see Installation Guide.

MAINTENANCE

The product may be cleaned with neutral detergent.

For further information see Maintenance Guide.