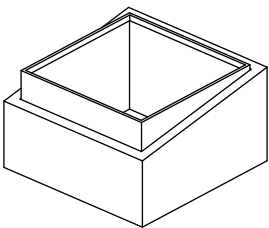


Design: Renata Paunoch
Year: 2012

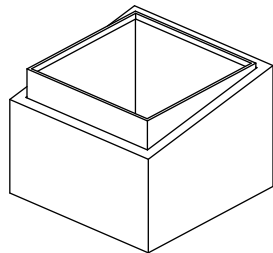


ELEMENTS

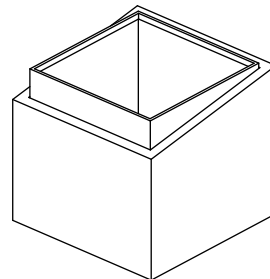
PLA-600



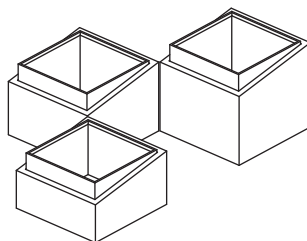
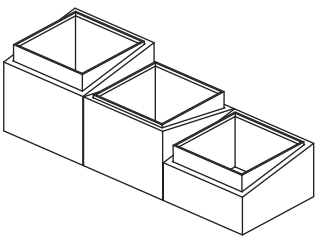
PLA-850



PLA-1000



SAMPLE COMBINATIONS



Design: Renata Paunoch
Year: 2012

INFO

Material:	high performance concrete (HPC)
Standard colour:	white
Finish:	natural cast
Treatment:	impregnated
Metal:	powder coated galvanized steel
Standard metal colour:	anthracite gray – RAL 7016
Water draining:	Ø100x200 mm pipe ensuring 200 mm buffer
Thermal insulation:	XPS
Lifting:	with lifting straps
Placement:	on load-bearing, ready-to-use walking surface
Fixing:	no fixing needed
Cleaning:	with neutral detergent



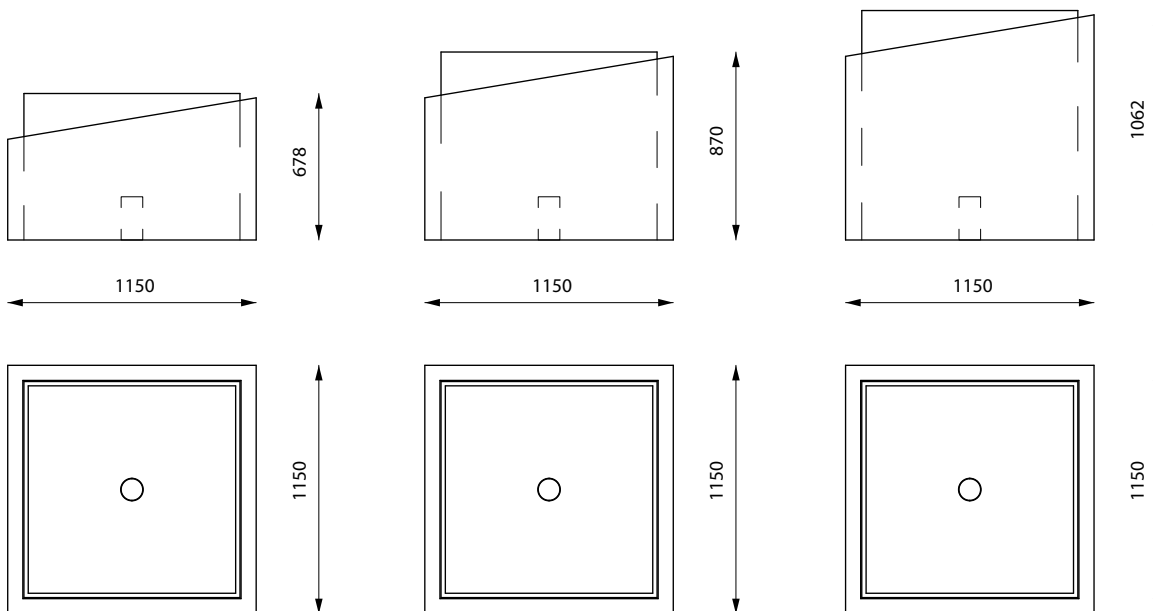
MEASUREMENTS

0 ——— 500 mm

PLA-600
375 kg
600 l

PLA-850
500 kg
850 l

PLA-1000
635 kg
1000 l



INSTALLATION

The product may be lifted with lifting straps.
For further information see Installation Guide.

MAINTENANCE

The product may be cleaned with neutral detergent.
For further information see Maintenance Guide.